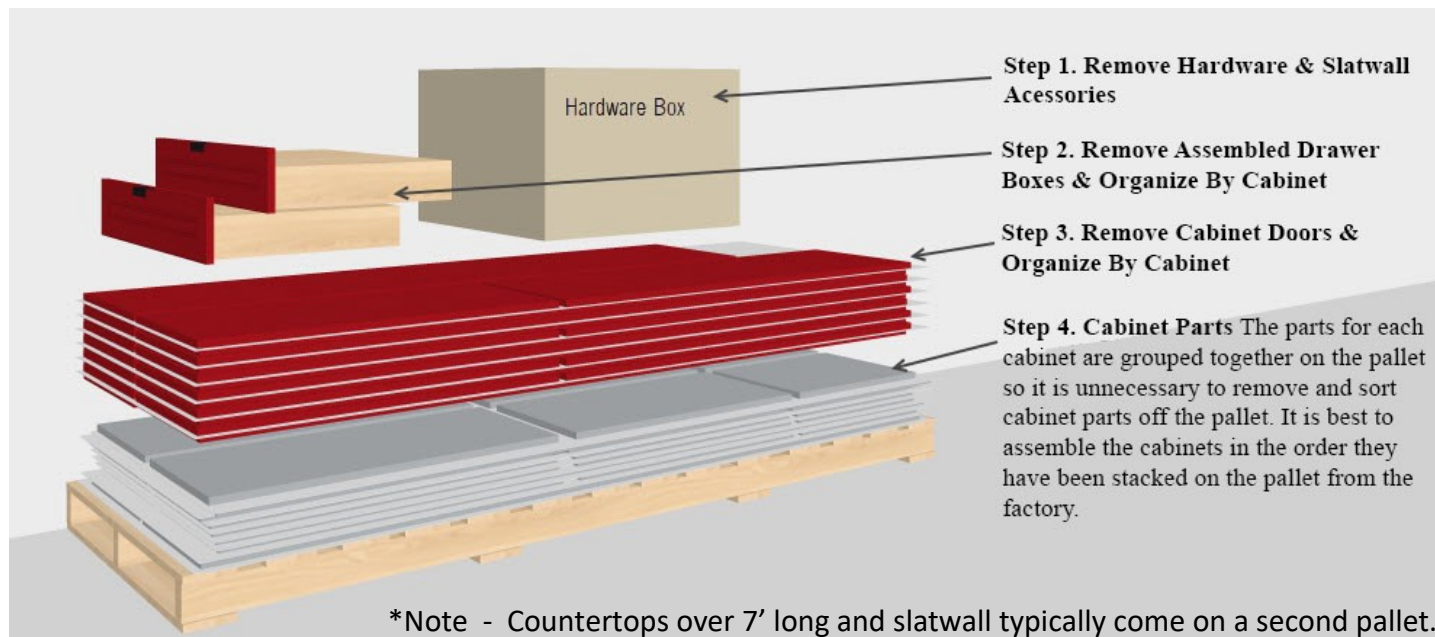


# Start Here — Unpacking & Assembly Instructions

Making sure your cabinets arrive safely is extremely important, that is why we build crates around every job. The diagram below shows how we typically stack the parts in a crate. Larger orders may require (2) or more crates. If there are multiple crates the layers remain the same but may be separated into different crates.



## Assembly and Installation Videos


[www.GarageCabinets.com/installation](http://www.GarageCabinets.com/installation)

Several videos are uploaded to our website to help with assembly and installation.



# Explanation of the Product Part List and the Part Labels

1. Every Cabinet (or Product) has a **Product Part List** W/exploded view drawing (like the one shown below). This document is specific to you and your order.



**GarageCabinets.com**  
DIRECT FROM THE MANUFACTURER

**Product Part List**  
Greenberg Casework Co, Inc.

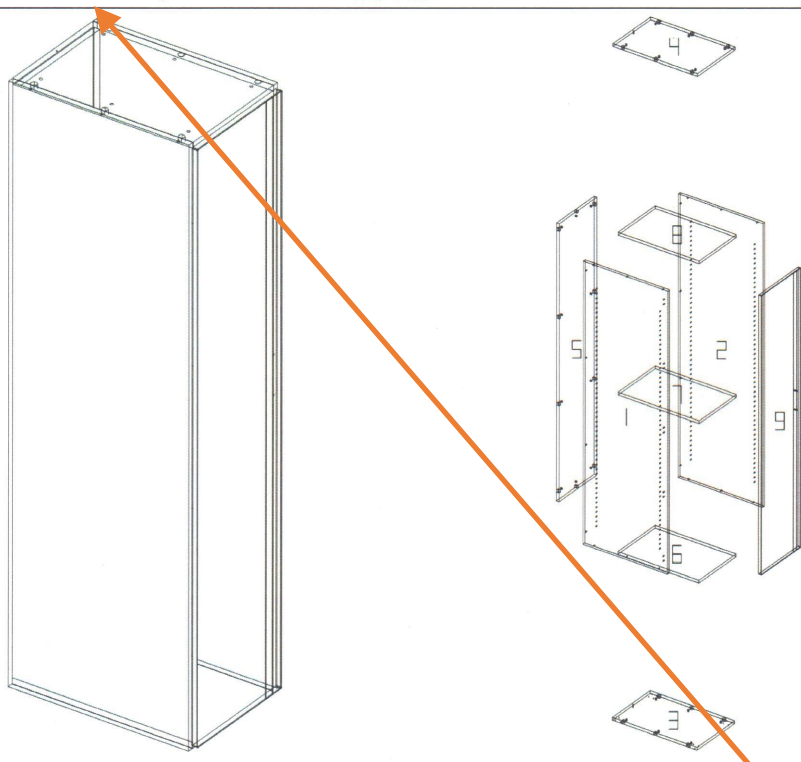
Page 1 of 7  
7/8/2019

**Work Order: WO11855A**

**Project Name: Redline WS Batch 06-26-19**

**Room Name: 25001 - McGilvra**

**Product ID - 1.01    QTY - 1    WS-T1D    W 16.5in x H 75.12in x D 23.78in**



<i>Index</i>	<i>Part Name</i>	<i>Width</i>	<i>Length</i>	<i>Index</i>	<i>Part Name</i>	<i>Width</i>	<i>Length</i>
1	Tall Left Side	23.78	x 75.12	2	Tall Right Side	23.78	x 75.12
3	Tall Bottom	23.78	x 15	4	Tall Top	23.78	x 15
5	Tall Thick Back	15	x 73.62	6	Tall Adj Shelf	22.79	x 14.84
7	Tall Adj Shelf	22.79	x 14.84	8	Tall Adj Shelf	22.79	x 14.84
9	Door Tall Left	15.63	x 74.13				

2. Every cabinet part on the pallet has a label
- A. The part label references the **Product ID** the part goes to (See Orange Arrow)
  - B. The part label gives the part description that is referenced in the **Product Parts List** (See Blue Arrow)

Product ID: **1.01**

Cust Order#: Redline WS Batch 06-26-19 - 25001 - McGilvra

Part Description: **Tall Thick Back**

Material: 19 Dove Grey Melamine 2S

SIZE(mm): 381 x 1870

SIZE(in): 15 x 73.622

2014D806

11855A

Sheet: 6  
Part: 2

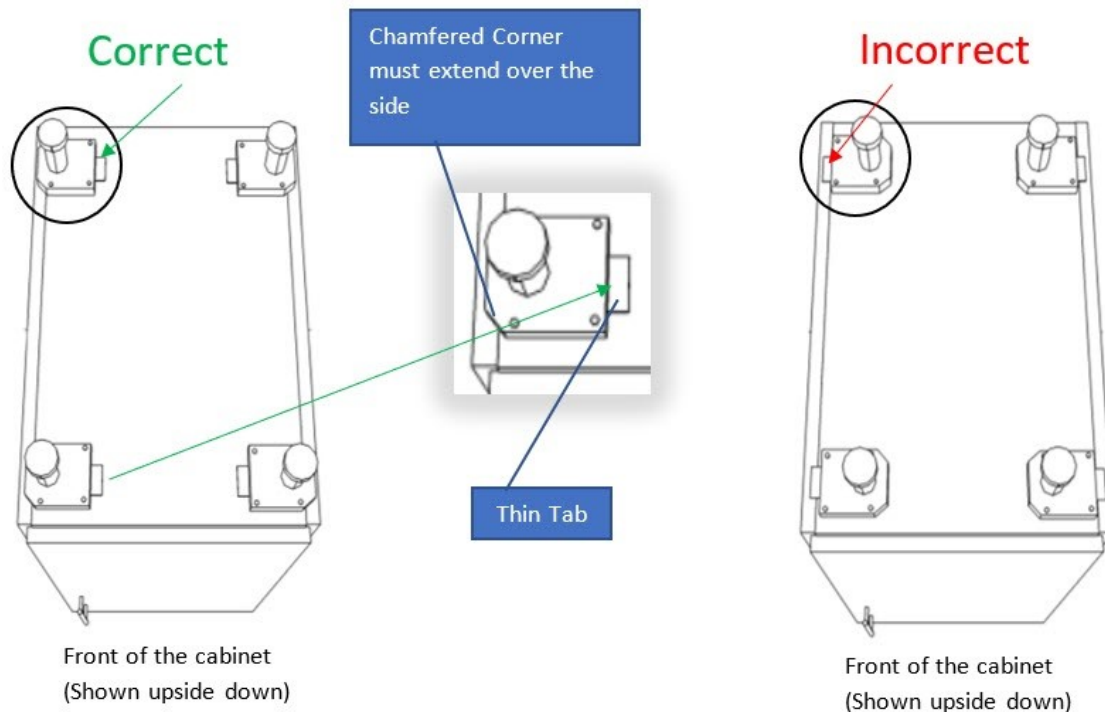
# 3 Important Assembly & Installation Notes

## 1. Cabinet Leg Installation

The leg base has chamfered corners that must extend over the side of the cabinet (as shown). The **thin tab** must be to the inside of the cabinet. The chamfered corner must face the outside.

Correct positioning of the chamfered corners is very important as incorrect installation can cause the cabinet to fail.

**If legs are installed correctly the cabinet will support several hundred pounds. If they are installed incorrectly, they will not and can cause failure.**



2. When assembling cabinets, it is important to not move the cabinet until the back is in it. This is especially important with tall cabinets. The back is what gives the cabinet the structure to keep from racking.

3. Cabinets must be secured to the wall using appropriate screws that will go at least 1" into structural material (wood studs/cinderblock/concrete, etc.) Screws are not included.

## Adjusting Drawer Fronts

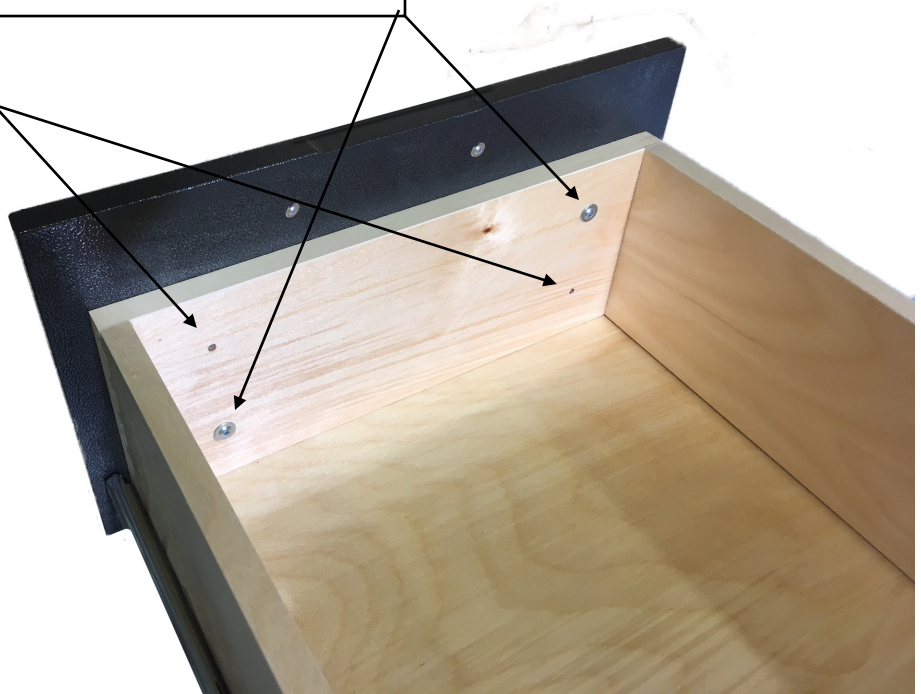
Drawer fronts come attached to the drawer boxes for ease of assembly. Once the cabinets are installed there is a small amount of adjustment built in to get them perfectly aligned.

There are two screws holding the drawer front on, to adjust the drawer front loosen the screws slightly and adjust the front and tighten again.

Once the drawer fronts are aligned there are additional drawer screws in the hardware box that need to be installed in order to keep the drawer front properly aligned.



**MS-8MMX1.125WSCR**  
**Drawer Front Screw**



## Drawer Pulls on 4" Drawers

Once the drawers are aligned properly, the drawers box needs to be drilled out using a 3/16" bit, use the predrilled holes on the drawer front to drill through the drawer box. Then use the long drawer pull screws (shown below) to attach the drawer pull.



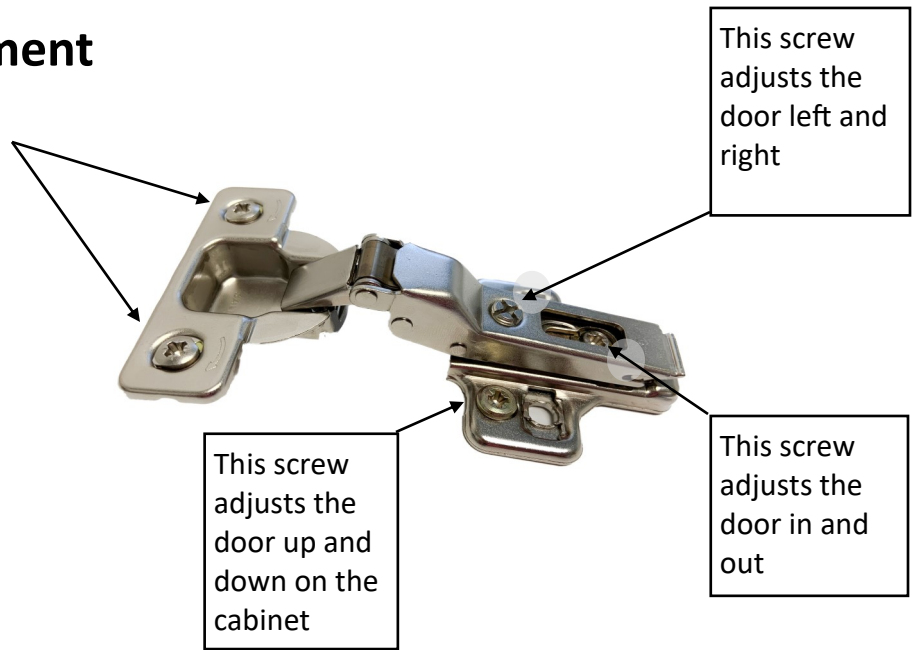
**MS-M4X45SCR-BA**  
**Drawer Pull Long Screw**



## Door Hinges - Adjustment

When installing hinges into the door turn the hinge cup screws 1/2 turn to secure the hinge to the door.

Once the door is hung on the cabinet the hinges will most likely need to be adjusted to get the door to fit properly. The hinges are 6 - way adjustable.



# Cabinet Hardware

**Cam and Dowel Hardware** is used in assembling every cabinet. This creates a strong joint that makes assembly easy.

Cams are used in tops, bottoms, and backs of cabinets which attach to the dowels that are used in the sides of the cabinets.



**KD-SYS6-F (Cam)**



**KD-SYS6-MS (Dowel)**



**HS-CLPPLT3  
Hinge Mounting Plate**

It attaches to the hinge side of cabinets to receive the hinge.



**HS-SC120R-HO  
Standard Door Hinge**

Clips into the hinge mounting plate after in-



**HS-SC-CRNR-45-200  
Corner Cabinet Hinge**

Used for angled corner cabinet doors. Uses the standard hinge mounting plate.



**MS-6X14ESCR  
Euro Screw**

These are used primarily for attaching hinge mounting plates, drawer slides, and adjustable legs.



**MS-6X14ESCR  
1 1/2" Flat Head Screws**

These are used for attaching countertops and backs of angled corner cabinets



**MS-8MMX1.125WSCR  
Drawer Front Screw**

Drawer fronts come attached to the drawers with only 2 screws, after fronts are adjusted, these screws help keep the drawer front in place.



**MS-M4X45SCR-BA  
Drawer Pull Long Screw**

Used on 4" tall drawer boxes where the drawer box covers the holes for the pull. (See explanation on the right)



**MS-BMPPR-03  
Door/Drawer Bumpers**

Bumpers are attached to doors and drawers to cushion the close.



**HS-SHLFPIN  
Shelf Pins**

These pins are used to support adjustable shelves.